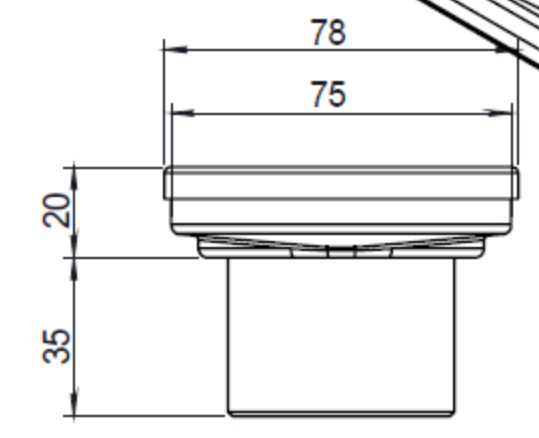
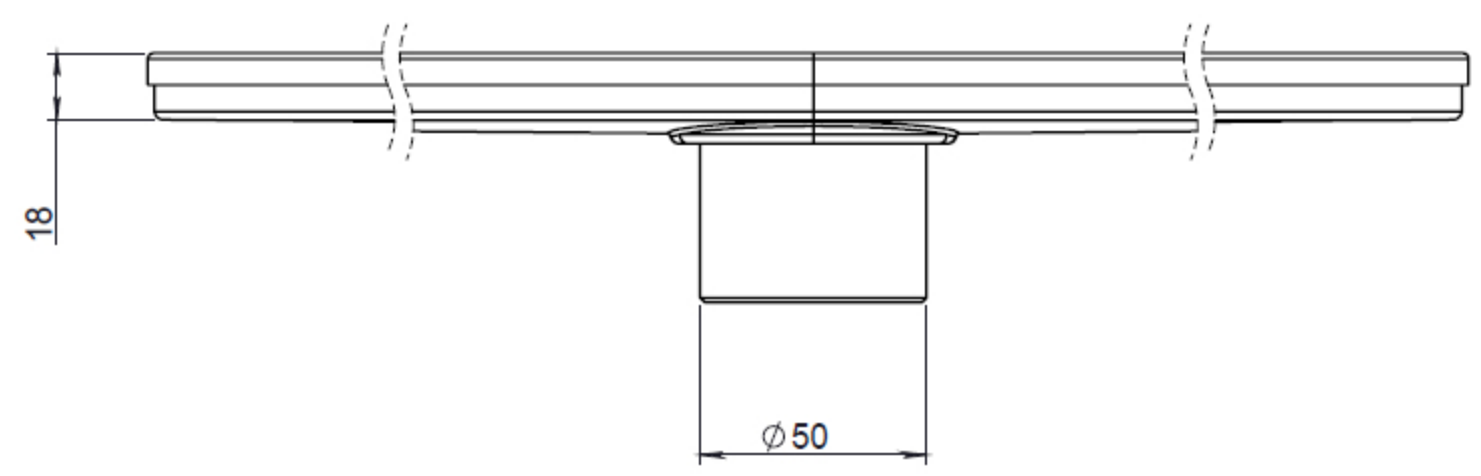
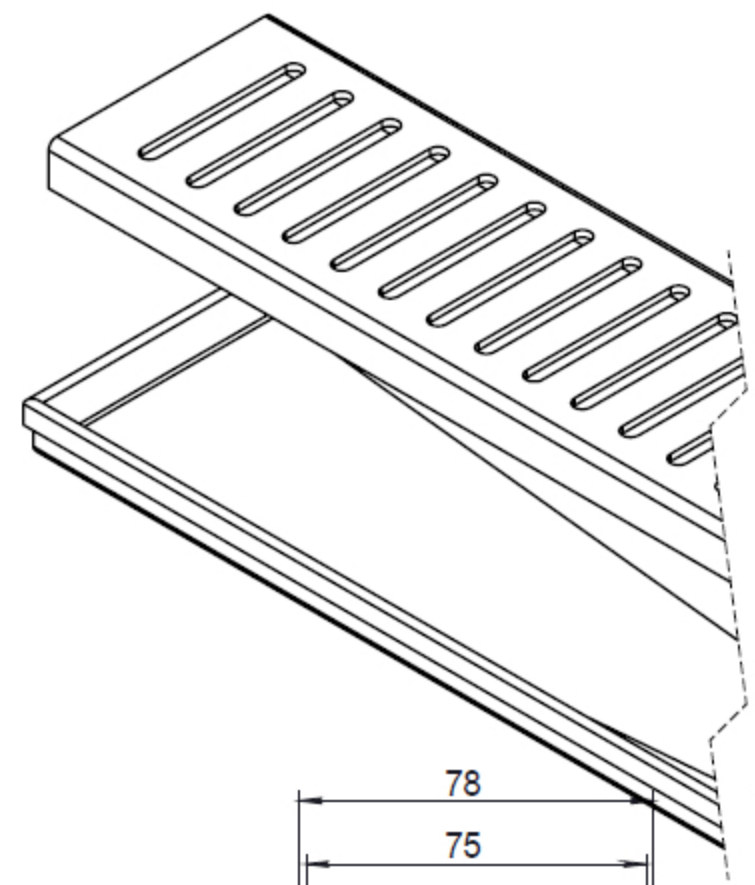
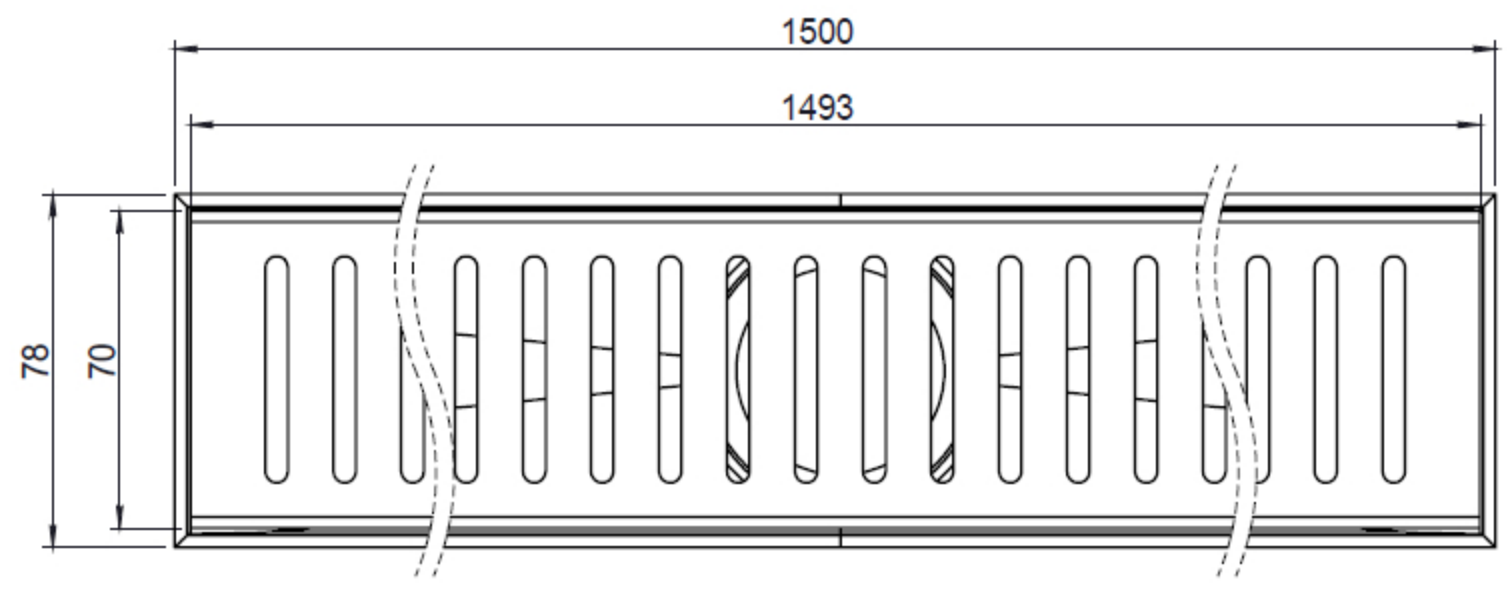


REV No.	REVISION NOTE	DATE



NOTE: Remove All Sharp Edges

MATERIAL: SUS 304

WEIGHT: g

TOLERANCE TYPE:

LINEAR $\pm 0.5\text{mm}$

ANGULAR $\pm 0.5^\circ$

ALL DIMENSIONS IN MILLIMETRES

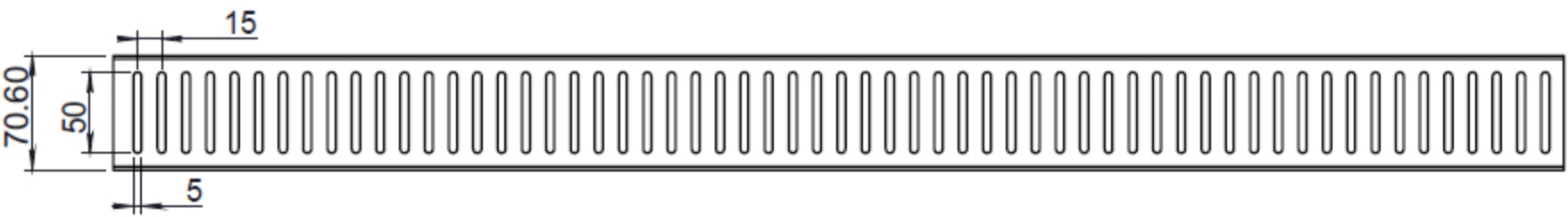
UNLESS NOTED OTHERWISE.

DO NOT SCALE FOR CONSTRUCTION PURPOSES.

DESIGNED	LUCKY	DATE	2013/7/2
DRAWN	LUCKY	SHEET SIZE	A4
CHECKED	JINF	SCALE	1:2

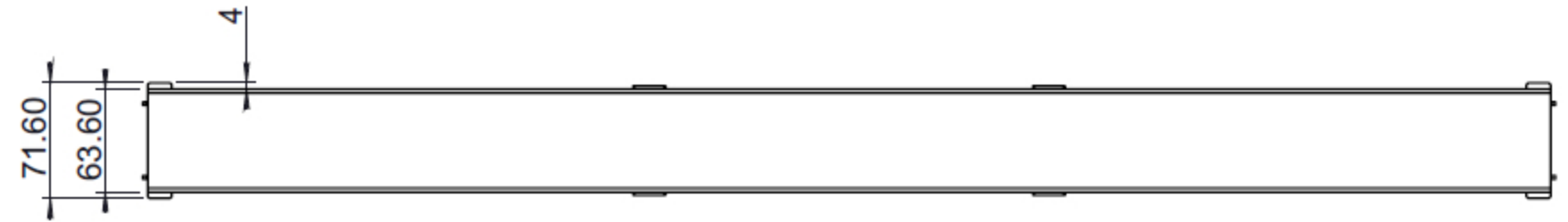
PROJECT No.	BC-1500-OVER-01	SHEET No.	1 OF 1	REVISION	
-------------	-----------------	-----------	--------	----------	--

REV No.	REVISION NOTE	DATE

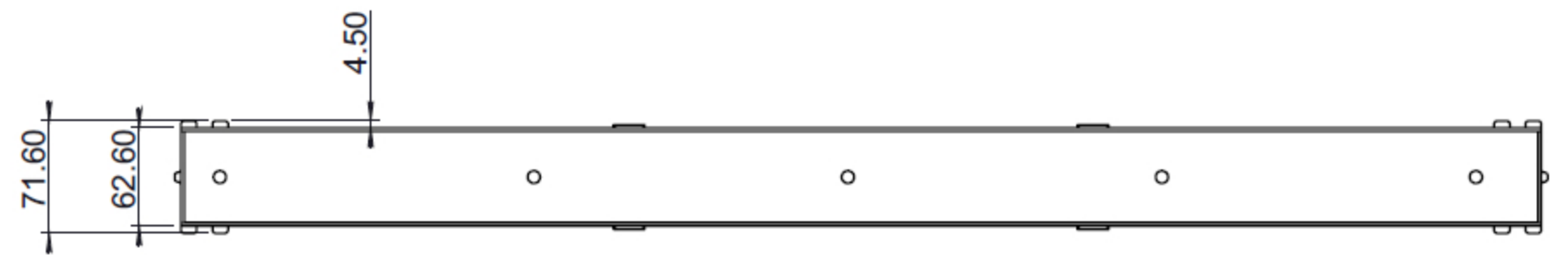


PATTER No.

11



16



17



NOTE: Remove All Sharp Edges,
MATERIAL: SUS 304



TOLERANCES:
 LINEAR $\pm 0.5\text{mm}$
 ANGULAR $\pm 0.5^\circ$
 ALL DIMENSIONS IN MILLIMETRES
 UNLESS NOTED OTHERWISE.
 DO NOT SCALE FOR CONSTRUCTION
 PURPOSES.

DESIGNED LUCKY	DATE 2013/11/23
DRAWN LUCKY	SHEET SIZE A4
CHECKED JINF	SCALE 1:5
<small>THE DRAWING & COPYRIGHT IS PART OF THE DRAWING MAY BE REPRODUCED WITHOUT WRITTEN PERMISSION OF THE AUTHOR.</small>	

LID PATTERNS

PROJECT NO.	SHEET NO. 1 OF 1	REVISION
-------------	---------------------	----------