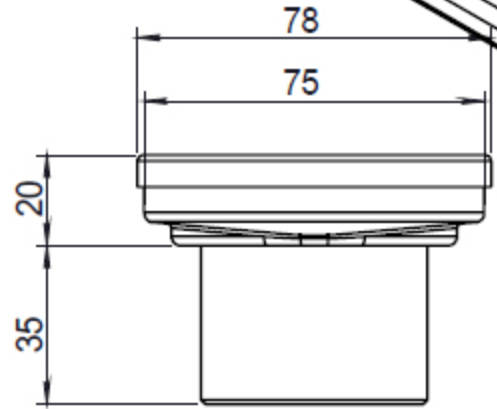
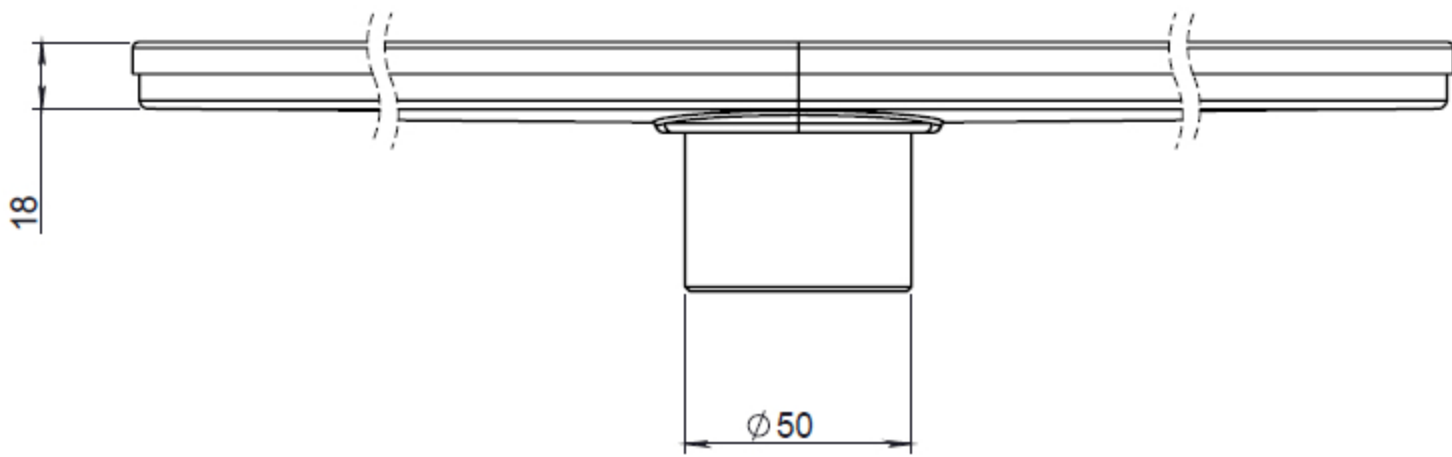
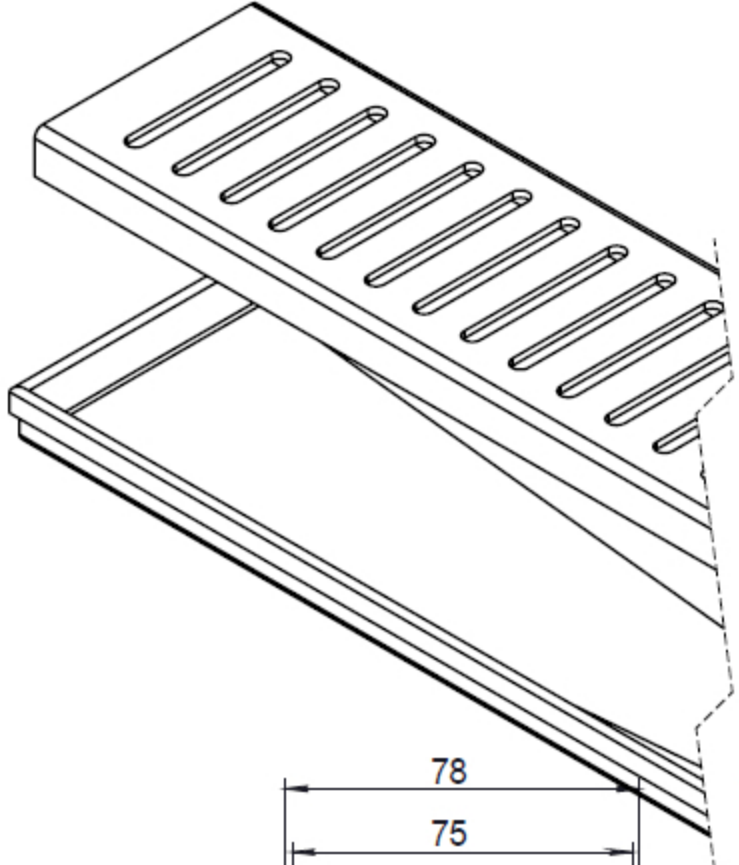
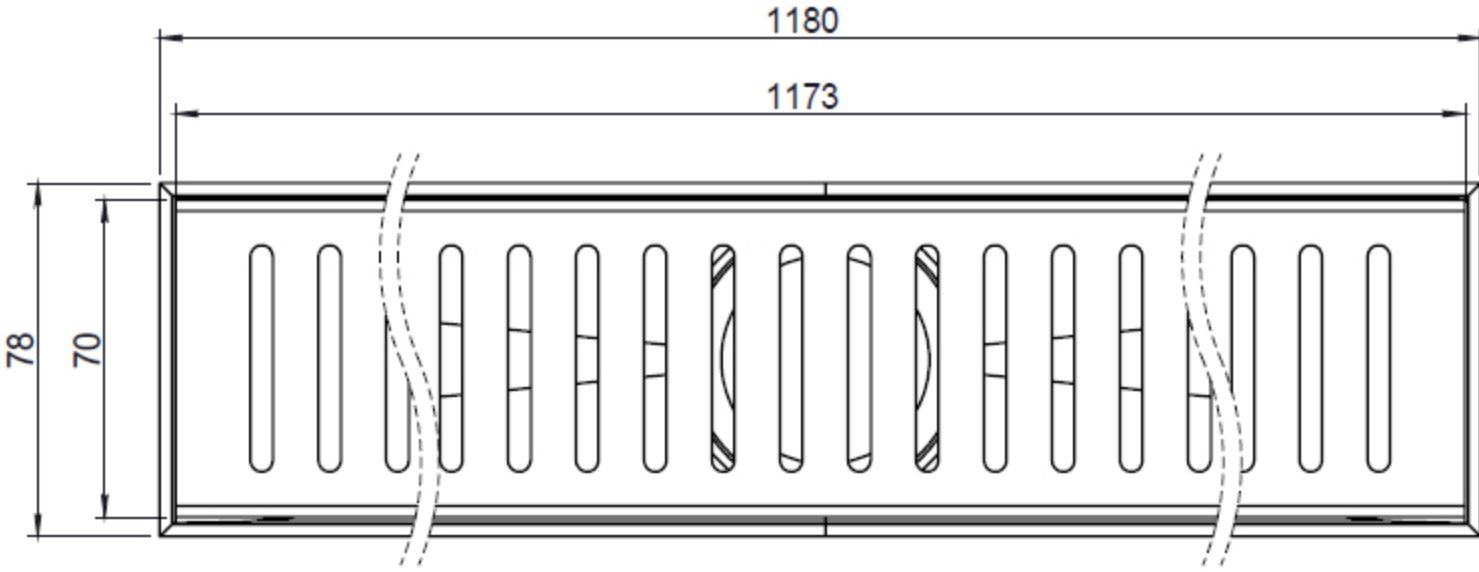


REV No.	REVISION NOTE	DATE



NOTE: Remove All Sharp Edges

MATERIAL: SUS 304

WEIGHT: g



TOLERANCES:

LINEAR $\pm 0.5\text{mm}$

ANGULAR $\pm 0.5^\circ$

ALL DIMENSIONS IN MILLIMETRES

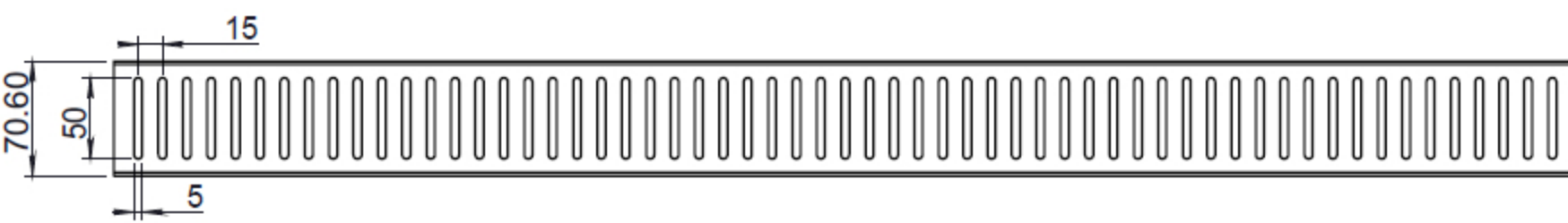
UNLESS NOTED OTHERWISE.

DO NOT SCALE FOR CONSTRUCTION PURPOSES.

DESIGNED	DATE
LUCKY	2013/7/2
DRAWN	SHEET SIZE
LUCKY	A4
CHECKED	SCALE
JINF	1:2

PROJECT No.	SHEET No.	REVISION
BC-1200-OVER-01	1 OF 1	

REV No.	REVISION NOTE	DATE

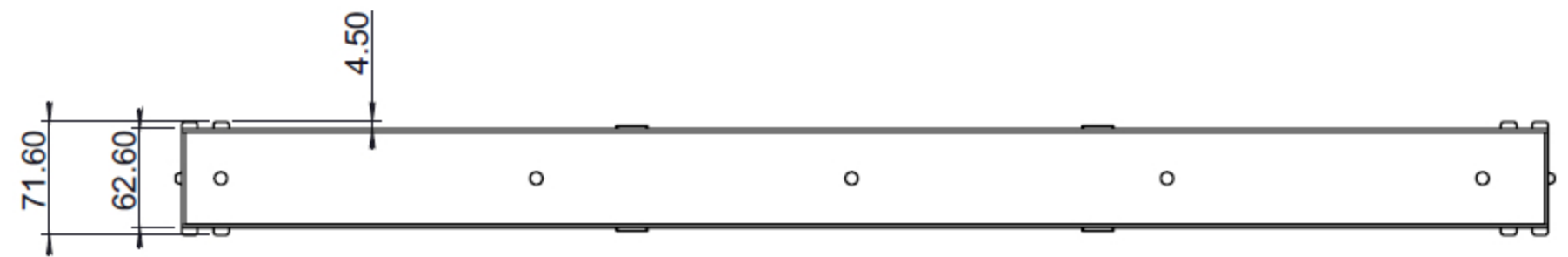


PATTER No.

11



16



17



NOTE: Remove All Sharp Edges,
MATERIAL: SUS 304


TOLERANCES:
 LINEAR ±0.5mm
 ANGULAR ±0.5°
 ALL DIMENSIONS IN MILLIMETRES
 UNLESS NOTED OTHERWISE.
 DO NOT SCALE FOR CONSTRUCTION
 PURPOSES.

DESIGNED LUCKY	DATE 2013/11/23
DRAWN LUCKY	SHEET SIZE A4
CHECKED JINF	SCALE 1:5
<small>THE DRAWING & COPYRIGHT IS PART OF THE DRAWING AND IS NOT TO BE REPRODUCED WITHOUT WRITTEN PERMISSION OF THE AUTHOR.</small>	

LID PATTERNS

PROJECT NO.	SHEET NO. 1 OF 1	REVISION
-------------	---------------------	----------